



Indoor Regular Series LED Display

Product Series: Indoor Regular Series

Department: Technology Department

Version : A0

Update date: 2023.3

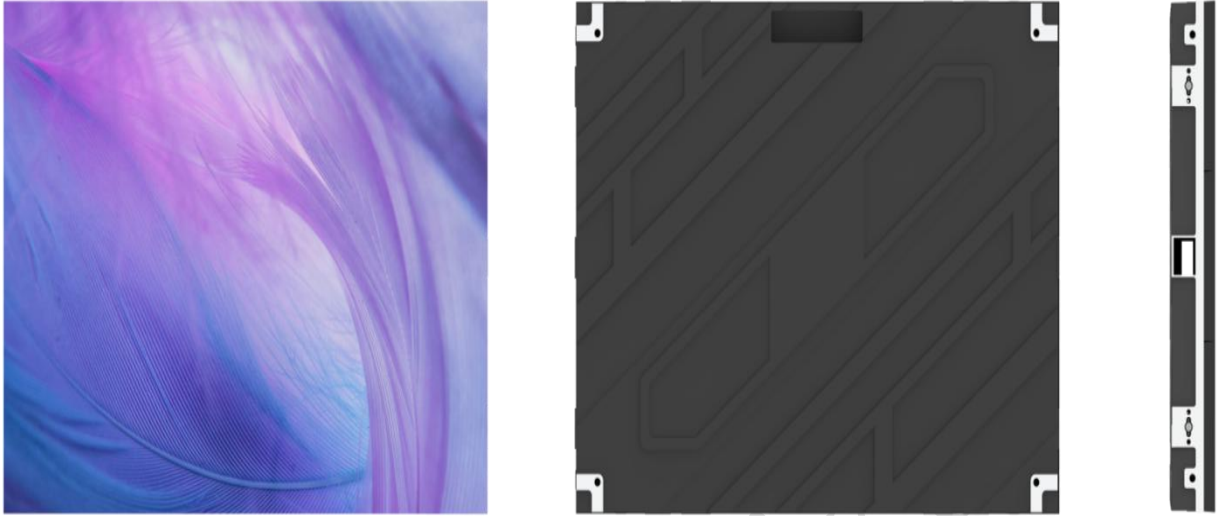
Zhongxian Beixin

Catalog

I. Product Illustration.....	1
II. Product Features.....	1
III. Product Detailed Parameters.....	2
IV. Product Topology Diagram.....	4
V. Dimensions of the Finished Cabinet.....	4
VI. Precautions.....	5

Zhongxian Beixin

I. Product Illustration



II. Product Features

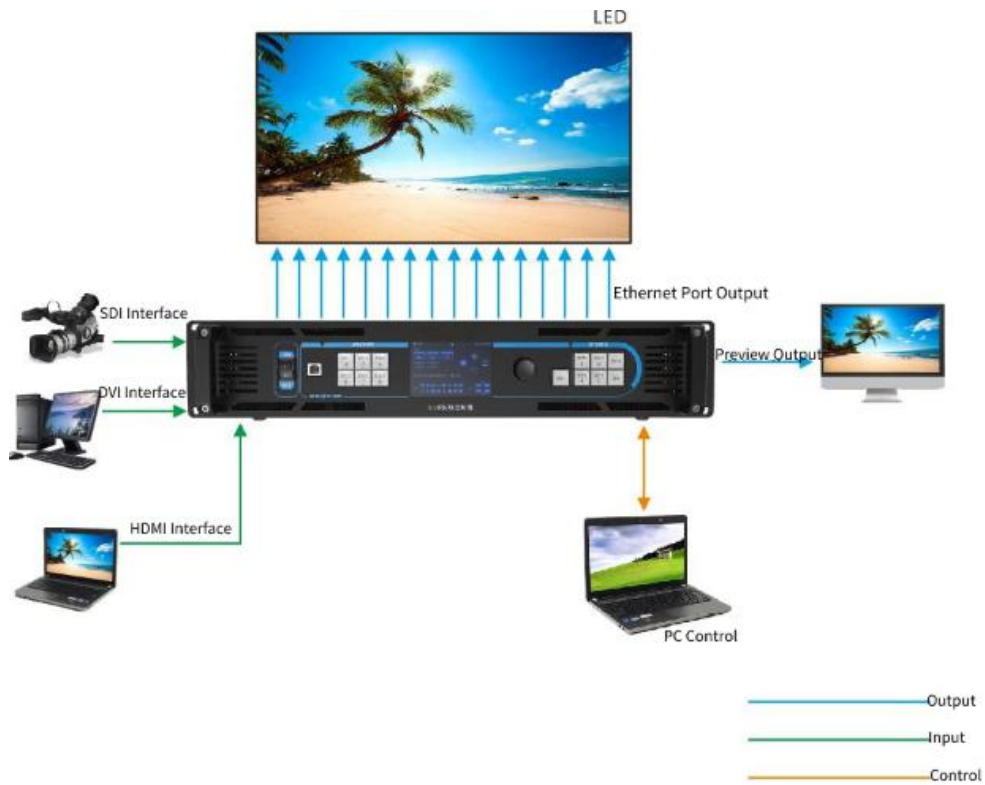
- (1) Die-cast aluminium case with high flatness and pure front maintenance
- (2) High refresh rate, high gray scale
- (3) Full black light, high contrast
- (4) No fan, silent
- (5) Seamless splicing, fast installation
- (6) Module size 320mm*160mm

III. Product Detailed Parameters

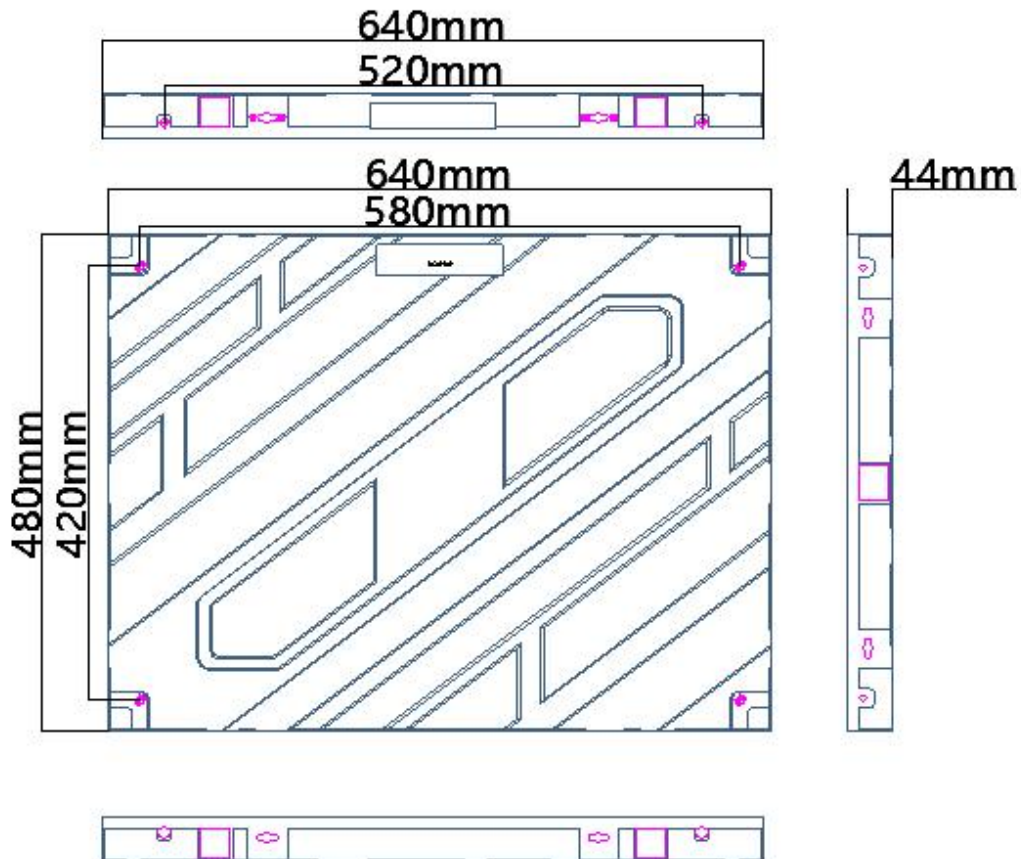
Unit Parameters	Model Number	AY1.53	AY1.86	AY2.0	AY2.5
	Pixel Pitch	1.53mm	1.86mm	2mm	2.5mm
	Pixel Configuration	1R1G1B	1R1G1B	1R1G1B	1R1G1B
	LED Type	SMD	SMD	SMD	SMD
	Unit Resolution	416*312 Dots	344*258 Dots	320*240 Dots	256*192 Dots
	Pixel Density	422500 pixels/m ²	288906 pixels/m ²	250000 pixels/m ²	160000 pixels/m ²
	Module Size (W*H)	320mm *160mm	320mm *160mm	320mm *160mm	320mm *160mm
	Cabinet Size (W*H*D)	640mm ×480mm	640mm ×480mm	640mm ×480mm	640mm ×480mm
	Scan and Drive Mode	52-sweep constant current drive	43-sweep constant current drive	40-sweep constant current drive	32-sweep constant current drive
	IP Rating	IP20	IP20	IP20	IP20
	Maintenance Type	Front Maintenance	Front Maintenance	Front Maintenance	Front Maintenance
Performance Parameters	Brightness	≤600cd/m ²	≤600cd/m ²	≤600cd/m ²	≤600cd/m ²
	Unit Power (Maximum)	680W/m ²	680W/m ²	680W/m ²	680W/m ²
	Unit Power (Typical)	270W/m ²	270W/m ²	270W/m ²	270W/m ²
	Color Temperature (Adjustable)	3200K —9300K	3200K —9300K	3200K —9300K	3200K —9300K

Optical and Electrical Parameters	Viewing Angle	H: $\geq 170^\circ$; V: ≥ 170	H: $\geq 140^\circ$; V: ≥ 120	H: $\geq 140^\circ$; V: ≥ 120	H: $\geq 140^\circ$; V: ≥ 120
	Max Contrast Ratio	$\geq 5000:1$	$\geq 5000:1$	$\geq 5000:1$	$\geq 3000:1$
	Brightness Control	Manual	Manual	Manual	Manual
	Input Voltage	AC 90 ~264V	AC 90 ~264V	AC 90 ~264V	AC 90 ~264V
	Input Power Frequency	50/60Hz	50/60Hz	50/60Hz	50/60Hz
	Gray Scale	16bit	16bit	16bit	16bit
	Frame Rate	50/60Hz	50/60Hz	50/60Hz	50/60Hz
	Refresh Frequency	3840Hz	3840Hz	3840Hz	3840Hz
Usage Parameters	Lifespan(h)	≥ 50000	≥ 50000	≥ 50000	≥ 50000
	Recommended Viewing Distance	3M	3M	4M	4M
	Operating Temperature	$-10^\circ\text{C}\sim+40^\circ\text{C}$	$-10^\circ\text{C}\sim+40^\circ\text{C}$	$-10^\circ\text{C}\sim+40^\circ\text{C}$	$-10^\circ\text{C}\sim+40^\circ\text{C}$
	Storage Temperature	$-20^\circ\text{C}\sim+60^\circ\text{C}$	$-20^\circ\text{C}\sim+60^\circ\text{C}$	$-20^\circ\text{C}\sim+60^\circ\text{C}$	$-20^\circ\text{C}\sim+60^\circ\text{C}$
	Communication Connection	CAT5 cable transmission($L\leq 100\text{m}$); Single mode fiber($L\leq 15\text{km}$)			
Statement: Power is for reference only, the specific to the actual prevail, specifications are subject to change without notice.					

IV. Product Topology Diagram



V. Dimensions of the Finished Cabinet



VI. Precautions

Before using this product, please read and understand the following precautions carefully, and keep them properly for future inquiries!

(1) Before operating the LED TV, please read the manual carefully, and abide by the regulations on safety precautions and related instructions.

(2) Guarantee that you can understand and comply with all safety guidelines, tips and warnings and operating instructions, etc.

(3) For product installation, please refer to the "Display Installation Manual".

(4) When unpacking the product, please refer to the packaging and transportation diagram; take out the product; please handle it with care and pay attention to safety!

(5) The product is a strong current input, please pay attention to safety when using it!

(6) The ground wire should be safely connected to the ground with reliable contact, and the ground wire and zero wire should be isolated and reliable, and the access to the power supply should be far away from the high-power electrical equipment.

(7) Frequent power switch tripping, should be timely check and replace the power switch.

(8) This product cannot be turned off for a long time. It is recommended to use it once every half a month and power it on for 4

hours; in a high humidity environment, it is recommended to use it once a week and power it on for 4 hours.

(9) If the screen has not been used for more than 7 days, the preheating method should be used every time. The screen is lit: 30%-50% brightness is preheated for more than 4 hours, then adjusted to normal brightness 80%-100% to light up the screen body, and the moisture will be excluded, so that no abnormalities in use.

(10) Avoid turning on the LED TV in full white state, because the inrush current of the system is the largest at this time.

(11) Dust on the surface of the LED display unit can be gently wiped with a soft brush.